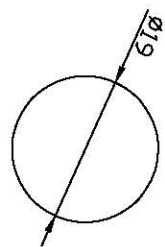
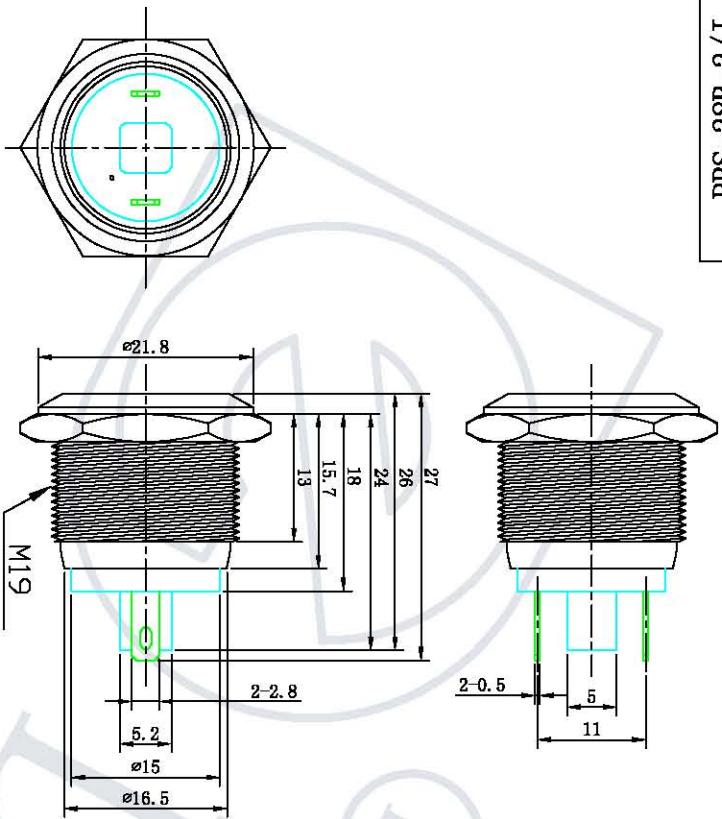
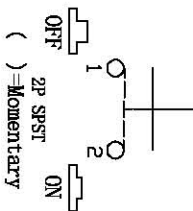


J/2-882-SBS-D



安装面板
PANEL CUT-OUT



MATERIALS

1. Button: Stainless Steel/Copper plating chrome/Aluminum plating
2. Bushing & Bezel: Stainless Steel/Copper plating chrome/Aluminum plating
3. Base: PC
4. Contact: Silver contact
5. Nut: Nickel plated brass

SPECIFICATIONS

1	Contact Rating: 5A @ 250V
2	Electrical Life: 50,000 cycles
3	Contact Resistance: 50m-ohms max (initial)
4	Insulation Resistance: 1,000M-ohms min @ 500VDC
5	Dielectric Strength: 2,000V RMS 50~60Hz
6	Operating Temperature: -20° C ~ +55° C
7	Switch function: INO INC
8	IP Class: IP65 Protection
9	Torque: 5~14Nm max applied to nut
10	Operating Force: 5N max

标记	处数	分区	更改文件号	签字	日期

按钮开关			
阶段标记	数量	重量	比例
	1		1:5:1
Yueqing Dalar Electron co., Ltd			
Push Button Switch			
PBS-28B-2/J			

