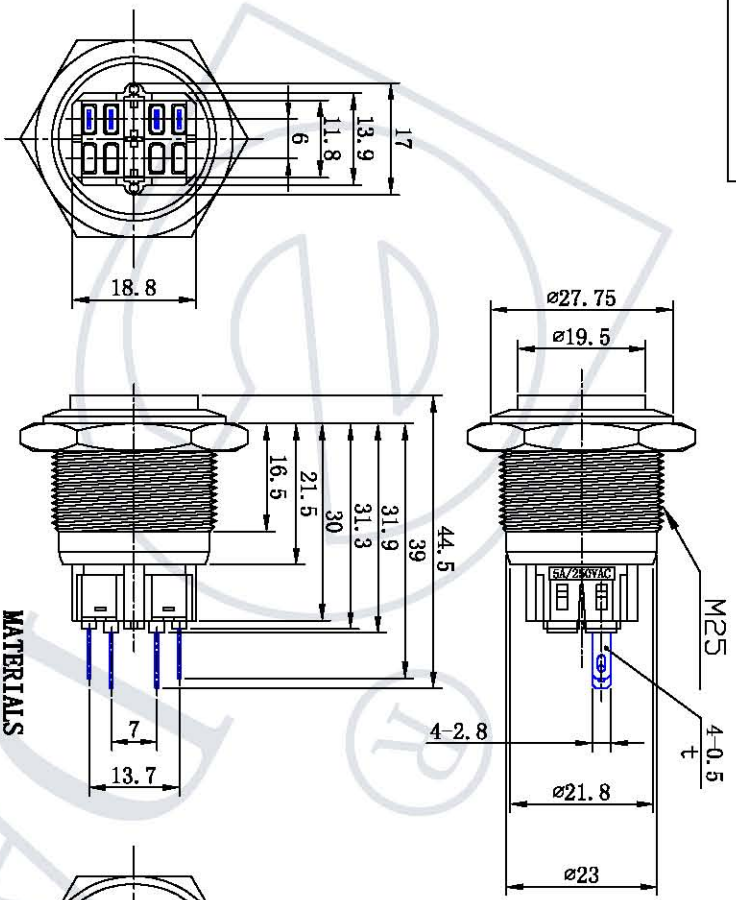


7-H5209

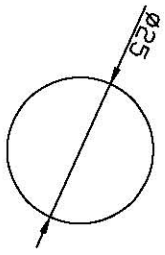
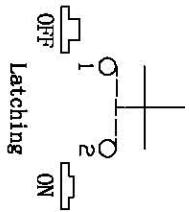


**SPECIFICATIONS**

1	Contact Rating:5A @ 250V
2	Electrical Life:50,000cycles
3	Contact Resistance:50m-ohms max(initial)
4	Insulation Resistance:1,000M-ohms min @ 500VDC
5	Dielectric Strength:2,000V RMS 50 ~ 60Hz
6	Operating Temperature:-20° C ~ +55° C
7	Function
8	IP Class:IP65 Protection
9	Torque:5~14Nm max applied to nut
10	Operating Force:5N max

**MATERIALS**

1. Button:Stainless Steel
2. Bushing & Bezel:Stainless Steel
3. Base:PC
4. Contact :Silver,Gold Plated
5. Nut :Nickel plated brass



<p><b>按钮开关</b></p> <p>Yueqing Daler Electron co., Ltd</p> <p>Push Button Switch</p> <p>GQ25H-L</p>		<p>阶段标记</p> <p>数量</p> <p>重量</p> <p>比例</p> <p>1</p> <p>1:1</p>	<p>第一页</p> <p>第一张</p>		
标记	处数	分区	更改文件号	签字	日期
设计			标准化		
校对					
审核			批准		
工艺					