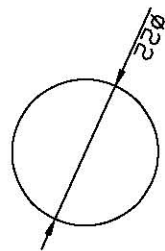
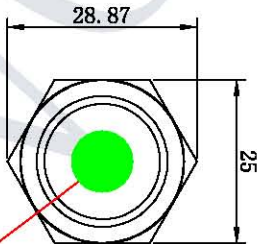
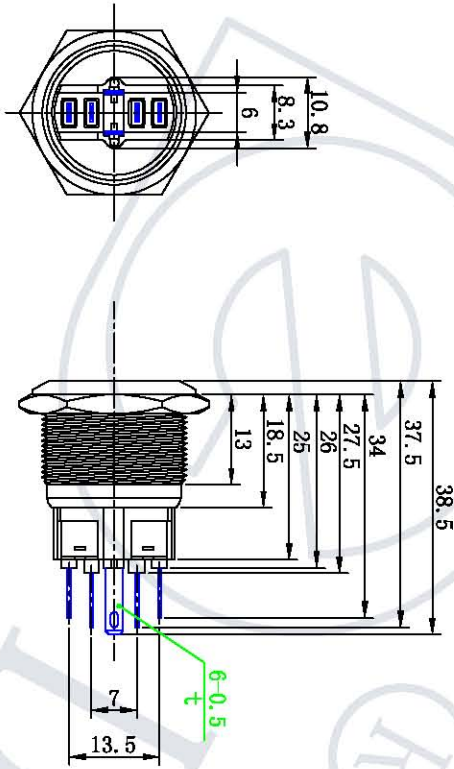
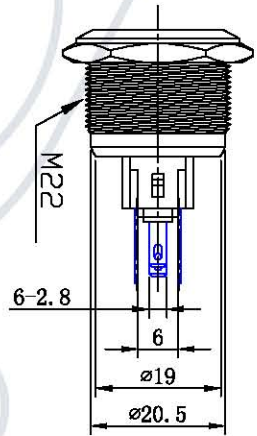
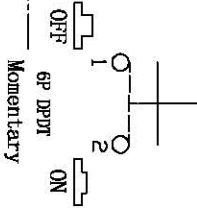


MD11-F2209



安装面板
PANEL CUT-OUT



MATERIALS

1. Button: Stainless Steel
2. Bushing & Bezel: Stainless Steel
3. Base: PC
4. Contact : Silver, Gold Plated
5. Nut : Nickel plated brass

SPECIFICATIONS

| | |
|----|--|
| 1 | Contact Rating:5A @ 250V |
| 2 | Electrical Life:50,000cycles |
| 3 | Contact Resistance:50m-ohms max(initial) |
| 4 | Insulation Resistance:1,000M-ohms min @ 500VDC |
| 5 | Dielectric Strength:2,000V RMS 50 ~ 60Hz |
| 6 | Operating Temperature:-20° C ~ +55° C |
| 7 | Switch function :INO INC |
| 8 | IP Class:IP65 Protection |
| 9 | Torque:5~14Nm max.applied to nut |
| 10 | Operating Force:5N max |
| 11 | LED Color (red, green, yellow, blue, White) |

| | | | | | |
|----|----|----|-------|----|----|
| 标记 | 处数 | 分区 | 更改文件号 | 签字 | 日期 |
| 设计 | | | 标准化 | | |
| 校对 | | | | | |
| 审核 | | | 批准 | | |
| 工艺 | | | | | |

按钮开关

| | |
|---------------------------------|-----|
| Yaoqing Dater Electron co., Ltd | |
| Push Button Switch | |
| 阶段标记 | 数量 |
| 1 | 1 |
| 比例 | 1:1 |
| GQ22F-11DM | |

