

小型摇臂开关

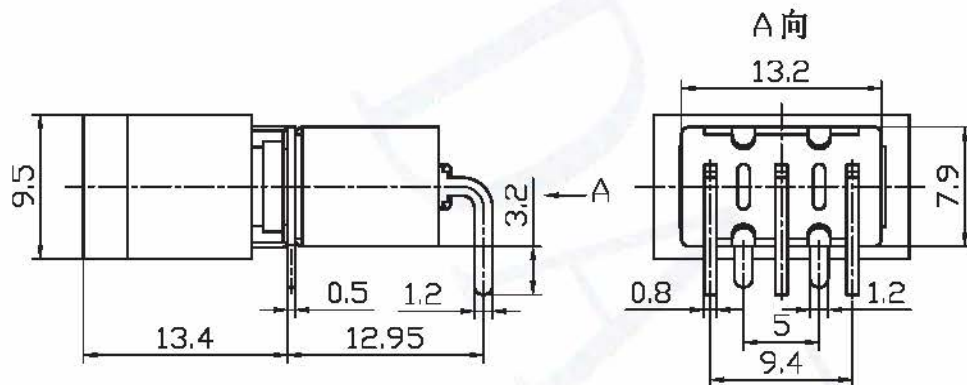
Miniature Rocker and Lever handle Switch

型号<TYPE>: RLS-102-A3

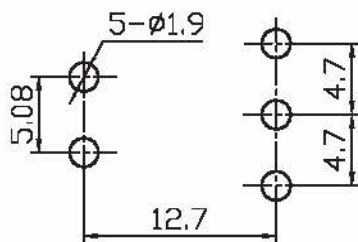
技术特性 (Specification)

1. 规格 (Rating): 6A 125VAC; 3A 250VAC
2. 接触电阻 (Contact R): 20mΩ max
3. 绝缘电阻 (Insulation R): 500VDC 1000MΩ min
4. 耐电压 (Dielectric Strength): 1 Minute 1500VAC
5. 操作温度 (Operating Temperature): -25℃~+85℃
6. 电气寿命 (Electrical Life): 10, 000 Cycles

外型图 (Outline Drawing)



安装尺寸 (Mounting)



电路图 (Circuitry)

